

# 1000 Series

## LIGHT DUTY FOR DC APPLICATIONS



### FEATURES AND BENEFITS

- Full weather permanently connected.
- Individually fused Metal Oxide Varistors (MOVs).
- May be used on grounded (+ or -) or floating power systems, for DC or low voltage AC (up to 400Hz).
- LED indicates proper functioning of L-L and L-G MOVs.

### AVAILABLE CONFIGURATIONS

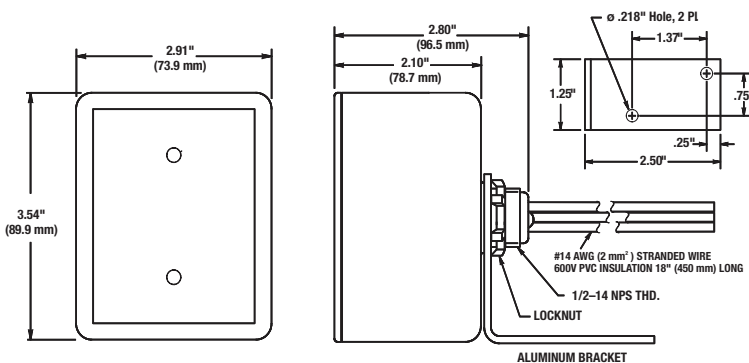
Model Number	kA Per Phase	DC Voltage	AC Voltage
1020-30	25kA	30Vdc	25Vac
1020-60	50kA	60Vdc	45Vac
1020-90	50kA	90Vdc	65Vac
1020-150*	50kA	150Vdc	110Vac

\*Model 1020-150 is not intended for use on 110/120 Vac power system.

#### Warranty

3-years

### DIMENSIONAL SPECIFICATIONS



Schematic shown in vertical position. (Photo shown in horizontal position)

### PRODUCT SPECIFICATIONS

#### Electrical

Nominal Discharge Current Rating (I-n)	None
Operating Frequency	AC/DC 0–400 Hz
Connection Methods	Mounts through 1/2" knockout or by its bracket Connects in parallel with load
Modes of Protection	L-L, L-G
Response Time	Less than 1 nanosecond
Standard Monitoring	LED status indicator lights (one per line)

#### Mechanical

Weight	1.5 lbs. (.7kg)
Enclosure Type	NEMA 1
Installation Location	Indoor
Operating Environment	-40° to +176°F (-40° to +80°C)
Altitude	Up to 16,400 ft. (5000 m)
Product Design	Individually fused MOVs Overcurrent Fusing Thermal Fusing

#### Regulatory

Requirements are discretionary and respective to the product application



# Energía Verde RMS

Ahorra y contribuye con tu ambiente <sup>®</sup>

General Miguel Barragán #814  
Aguascalientes, Ags.  
01 (449) 145 2028  
[energiaverderms.com.mx](http://energiaverderms.com.mx)